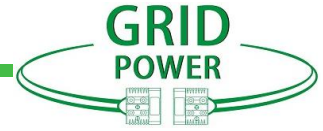


GPS 75XFP

Multipole Power Connector



FEATURES

• Flat wiping contact system

Minimal contact resistance at high current, wiping action cleans contact surface during connection/disconnection

• Mechanical keyed housings

Prevents accidental mating of components operating at different voltage levels

• Finger proof (Pending)

Minimizes the potential contact with live contacts, per UL 1977

• Ergonomic design

Is "user friendly" during connection and disconnection of the system

特征

• 平面接触技术

强电流下接触电阻最小，断开过程中产生的擦拭动作可清洁接触件表面

• 彩色防呆设计

根据颜色确定行业标准推荐的使用电压，避免两个带有不同电压编码颜色的胶壳配插（消除电源与插座误插的可能性）

• 防金属指

有助防止手指（或探针）接触工作中金属件，符合 UL1977

• 人体工学设计

提供良好的插拔设计

PRODUCT SPECIFICATIONS/产品规格

Current Rating (Amperes) 额定电流 (安培)	Primary Power 75 Auxiliary 10
Voltage Ratings (Volts) 额定电压 (伏特)	600
Contact Barrel Wire Size (AWG) (mm ²) 适用线径 (AWG) (mm ²)	Power Contacts #6 to #16 13.3 to 1.3 Auxiliary Contacts #12 to #24 3.3 to 0.25
Maximum Wire Insulation Diameter (inches) (mm) 最大绝缘导线直径(英寸) (毫米)	Power Contacts 0.41 10.4 Auxiliary Contacts 0.14 3.6
AVG Contact Resistance(micro-ohms) 接触电阻 (微欧)	200
Insulation Withstanding Test Voltage (Volts AC/DC) 绝缘耐电压 (交流/直流)	2200
Contact Retention Force (lbf) 端子保持力 (磅)	Power Contacts 50 Auxiliary Contacts 15
Life/寿命 a. No load (Contact/Disconnect Cycles) 无负载 (插拔次数) b. Under Load (Hot Plug 250 cycles @ 120V) 负载状态 (120V 电压热插拔 250 次)	To 10,000 Power Contacts 50A Auxiliary Contacts 5A
Avg. Connection/Disconnect (lbf) 平均插拔力 (磅)	16
Operating Temperature Range °C/°F 工作温度 PBT 材料	-20° to 105°/-4° to 221° -40° to 125°/-40° to 257°
Flammability Rating of Housing Material 材料防火等级 Plastic(塑胶壳) Polycarbonate and PBT Contact(端子) Copper Alloy Silver plating and Tin plating and Gold plating	UL94 V-0

Your Best High Power Connection



Shenzhen Grid Power Connectors Co., Ltd

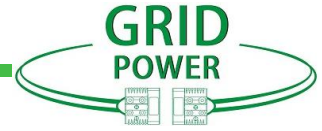
Tel: +86 0755-23208099 23205933

Address: The 2nd Floor, Building B&C, Plant 1, Senyang Technology Park, Guangming District, Shenzhen City, PRC

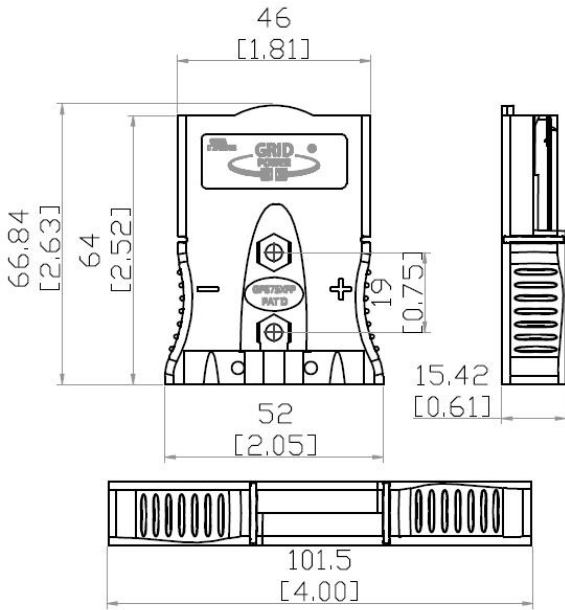
www.grd-power.com

GPS 75XFP

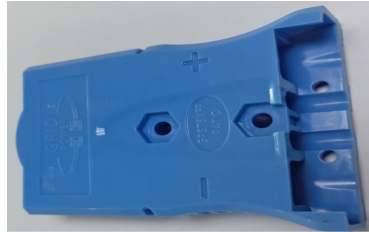
Multipole Power Connector



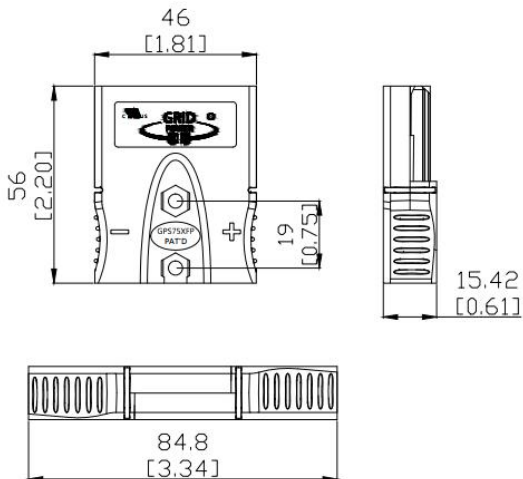
GPS75XFP HOUSING/GPS75XFP 胶壳 (带 R)



Part Number 料号	Part Number 料号 (PBT)	Housing Color 胶壳颜色
GPS75XFP-G3014G1-R	G3014G1-R-P	Gray 灰色
GPS75XFP-G3014G2-R	G3014G2-R-P	Red 红色
GPS75XFP-G3014G3-R	G3014G3-R-P	Black 黑色
GPS75XFP-G3014G4-R	G3014G4-R-P	Blue 蓝色
GPS75XFP-G3014G5-R	G3014G5-R-P	Yellow 黄色
GPS75XFP-G3014G6-R	G3014G6-R-P	Green 绿色
GPS75XFP-G3014G7-R	G3014G7-R-P	Orange 橙色
GPS75XFP-G3014G8-R	G3014G8-R-P	Brown 棕色
GPS75XFP-G3014G9-R	G3014G9-R-P	White 白色



GPS75XFP HOUSING/GPS75XFP 胶壳(不带 R)



Part Number 料号	Part Number 料号(PBT)	Housing Color 胶壳颜色
GPS75XFP-G3014G1	G3014G1-P	Gray 灰色
GPS75XFP-G3014G2	G3014G2-P	Red 红色
GPS75XFP-G3014G3	G3014G3-P	Black 黑色
GPS75XFP-G3014G4	G3014G4-P	Blue 蓝色
GPS75XFP-G3014G5	G3014G5-P	Yellow 黄色
GPS75XFP-G3014G6	G3014G6-P	Green 绿色
GPS75XFP-G3014G7	G3014G7-P	Orange 橙色
GPS75XFP-G3014G8	G3014G8-P	Brown 棕色
GPS75XFP-G3014G9	G3014G9-P	White 白色



Your Best High Power Connection



Shenzhen Grid Power Connectors Co., Ltd

Tel: +86 0755-23208099 23205933

Address: The 2nd Floor, Building B&C, Plant 1, Senyang Technology Park, Guangming District, Shenzhen City, PRC

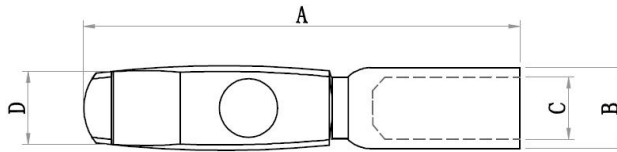
www.grd-power.com

GPS 75XFP

Multipole Power Connector



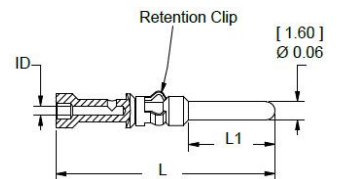
GPS SILVER PLATED PRIMARY POWER WRIE CONTACTS/接触件



Part Number 料号	Description 描述	Mating Force 配合力	Wire Size/线径		-A-		-B-		-C-		-D-	
			AWG	sq. mm	mm	In.	mm	In.	mm	In.	mm	In.
S1339G1	Individual 单粒	Low 低	#5	16.8	39.4	1.55	7.1	0.28	5.9	0.23	7.63	0.30
S1339G2	Individual 单粒	Low 低	#6	13.3	39.4	1.55	7.1	0.28	5.6	0.22	7.63	0.30
S1339G3	Individual 单粒	Low 低	#10/#12	5.3/3.3	39.4	1.55	7.1	0.28	3.55	0.14	7.63	0.30
S1339G5	Individual 单粒	Low 低	#8	8.4	39.4	1.55	7.1	0.28	4.7	0.19	7.63	0.30

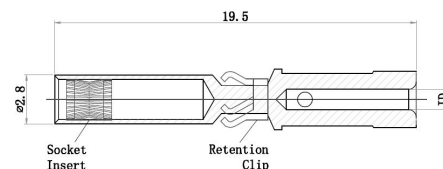
Pin Contacts for GPS75XFP Auxiliary/信号针

Part Number 料号	Description 描述	Wire Size/线径		-L-		-L1-		-ID-	
		AWG	sq. mm	mm	In.	mm	In.	mm	In.
SPM16P12S30	Standard Length 7.7mm	#12	3.3	19.5	0.77	7.7	0.30	2.6	0.10
SPM16P1416S30		#14/#16	1.5/1.0	19.5	0.77	7.7	0.30	2.1	0.08
SPM16P1620S30		#16/#20	1.0/0.75	19.5	0.77	7.7	0.30	1.7	0.07
SPM16P2024S30		#20/#24	0.75/0.5	19.5	0.77	7.7	0.30	1.1	0.04
SPM16P12A30	Pre-Mate 9.3mm	#12	3.3	21.2	0.83	9.3	0.37	2.6	0.10
SPM16P1416A30		#14/#16	1.5/1.0	21.2	0.83	9.3	0.37	2.1	0.08
SPM16P1620A30		#16/#20	1.0/0.75	21.2	0.83	9.3	0.37	1.7	0.07
SPM16P2024A30		#20/#24	0.75/0.5	21.2	0.83	9.3	0.37	1.1	0.04
SPM16P12C30	Post-Mate 6.4mm	#12	3.3	18.3	0.72	6.4	0.25	2.6	0.10
SPM16P1416C30		#14/#16	1.5/1.0	18.3	0.72	6.4	0.25	2.1	0.08
SPM16P1620C30		#16/#20	1.0/0.75	18.3	0.72	6.4	0.25	1.7	0.07
SPM16P2024C30		#20/#24	0.75/0.5	18.3	0.72	6.4	0.25	1.1	0.04



Socket Contacts for GPS75XFP Auxiliary/信号针

Part Number 料号	Description 描述	Wire Size/线径		-ID-	
		AWG	sq. mm	mm	In.
SPM16S12S32	Socket Contact	#12	3.3	2.6	0.10
SPM16S1416S32		#14/#16	1.5/1.0	2.1	0.08
SPM16S1620S32		#16/#20	1.0/0.75	1.7	0.07
SPM16S2024S32		#20/#24	0.75/0.5	1.1	0.04



Your Best High Power Connection



Shenzhen Grid Power Connectors Co., Ltd

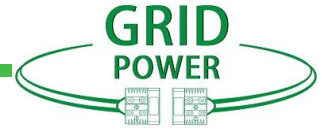
Tel: +86 0755-23208099 23205933

Address: The 2nd Floor, Building B&C, Plant 1, Senyang Technology Park, Guangming District, Shenzhen City, PRC

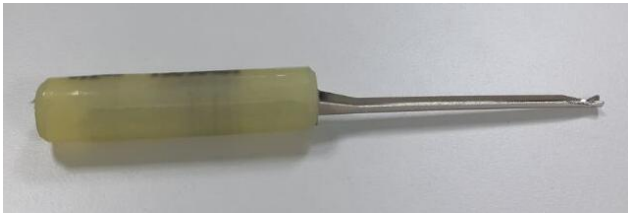
www.grd-power.com

GPS 75XFP

Multipole Power Connector



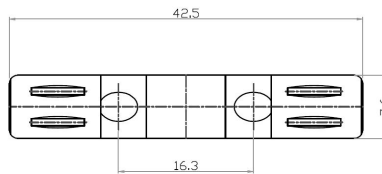
INSERT SOOL/送针器




Part Number 料号

75x10001

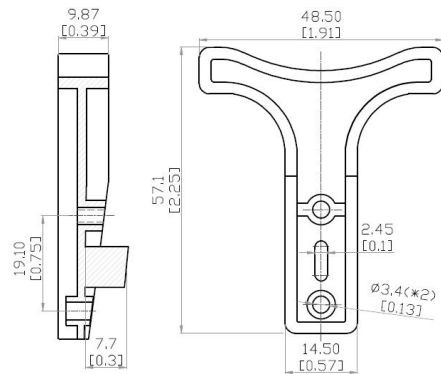
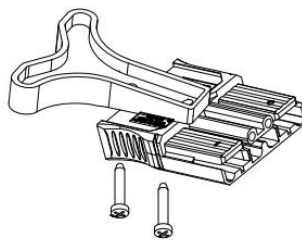
CABLE CLAMPS/线扣






Part Number / 料号	Color / 颜色
GPS75CLPRED	Red 红色 



T TYPE HANDLE / T 型拉手



Part Number/料号	Color/颜色
MPC50HDL-Red	Red 红色 
MPC50HDL-BLK	Black 黑色 
MPC50HDL-GRY	Gray 灰色 

Your Best High Power Connection



Shenzhen Grid Power Connectors Co., Ltd

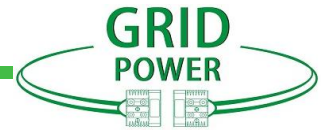
Tel: +86 0755-23208099 23205933

Address: The 2nd Floor, Building B&C, Plant 1, Senyang Technology Park, Guangming District, Shenzhen City, PRC

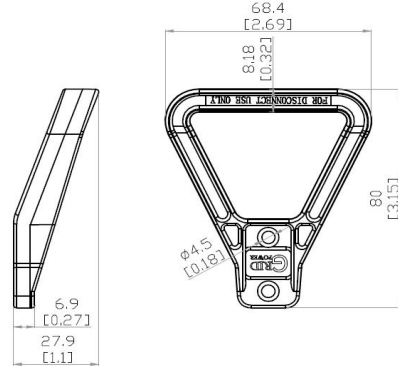
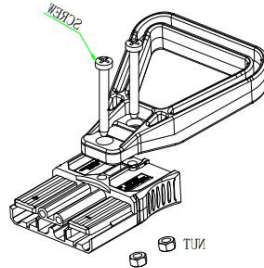
www.grd-power.com

GPS 75XFP

Multipole Power Connector



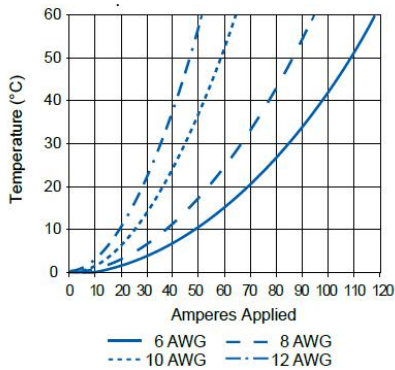
O TYPE HANDLE / 圆型拉手



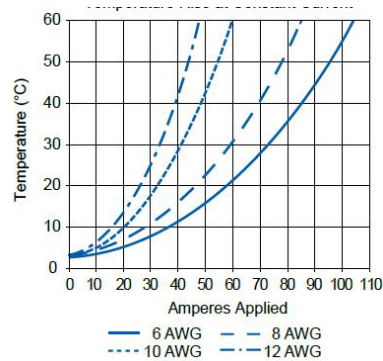
Part Number/料号	Color/颜色
G997G1	Gray 灰色
G997G2	Red 红色

TEMPERATURE RISE CHARTS / 温升测试

GPS75X Power Contacts/电源接触件
Temperature Rise at Constant Current/温升曲线



GPS75X Auxiliary Contacts/辅助接触件
Temperature Rise at Constant Current/温升曲线



Your Best High Power Connection



Shenzhen Grid Power Connectors Co., Ltd

Tel: +86 0755-23208099 23205933

Address: The 2nd Floor, Building B&C, Plant 1, Senyang Technology Park, Guangming District, Shenzhen City, PRC

www.grd-power.com